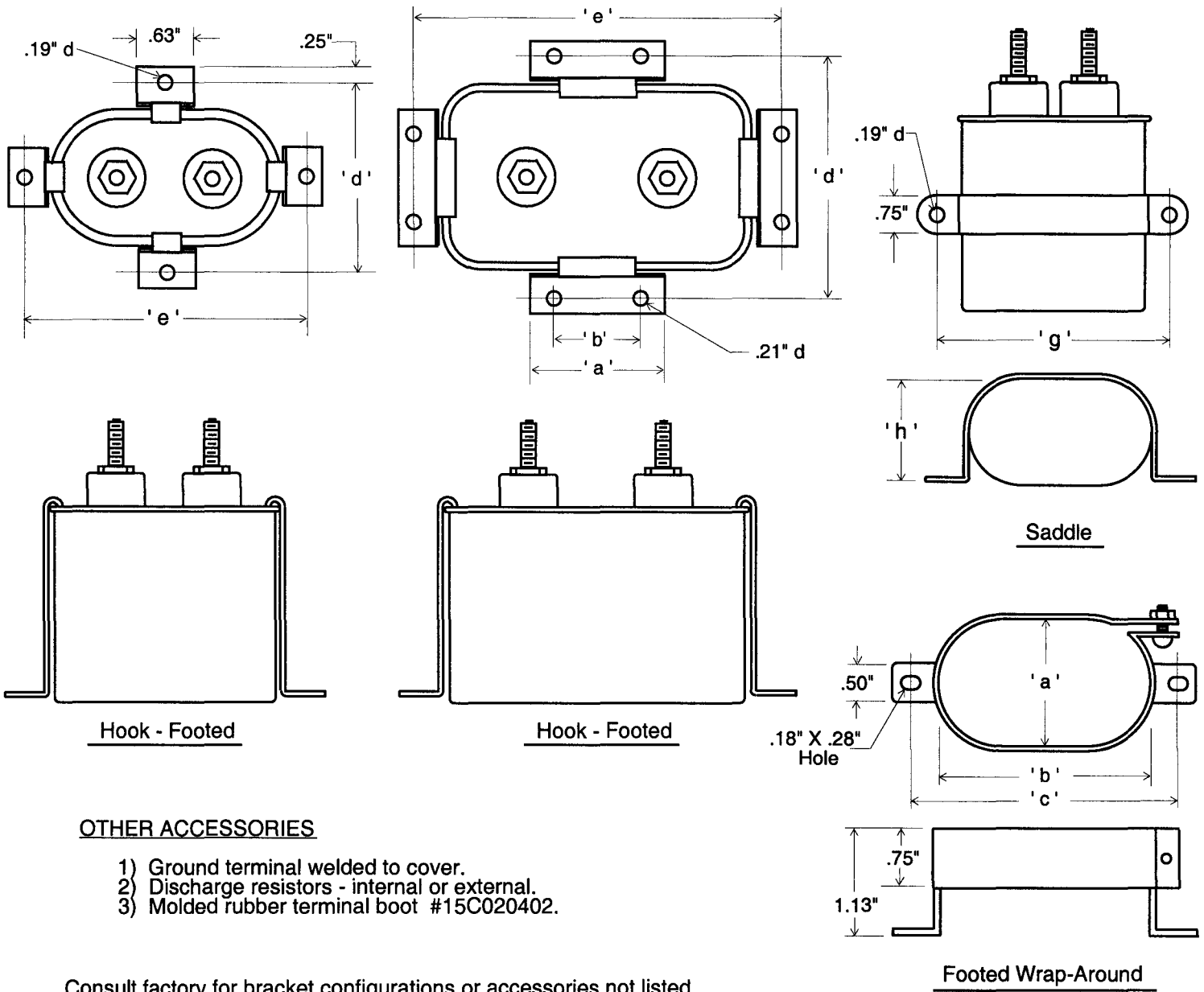
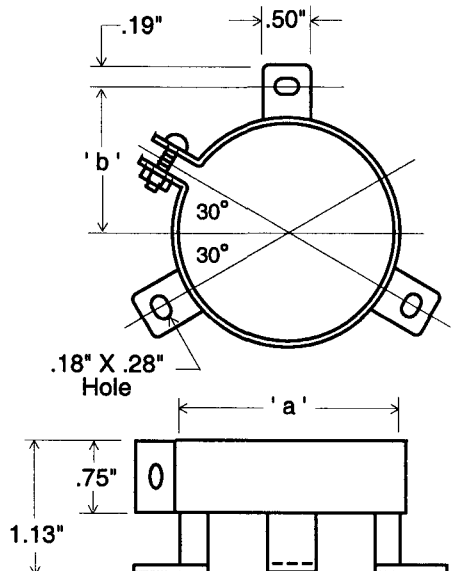
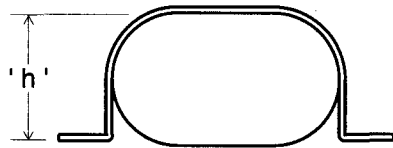
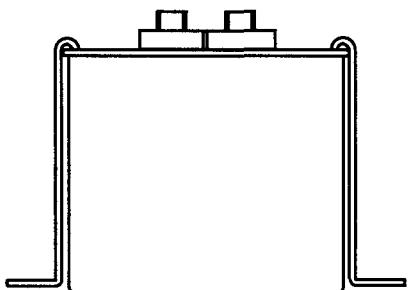
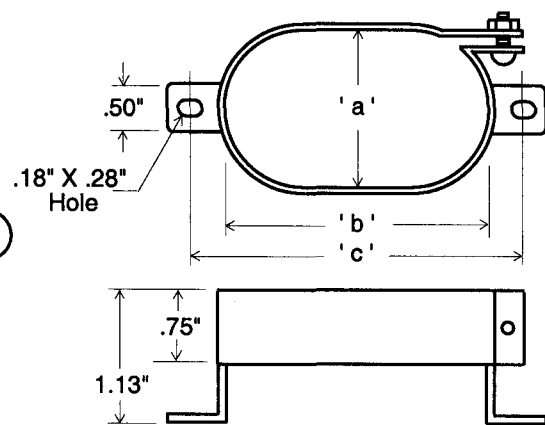
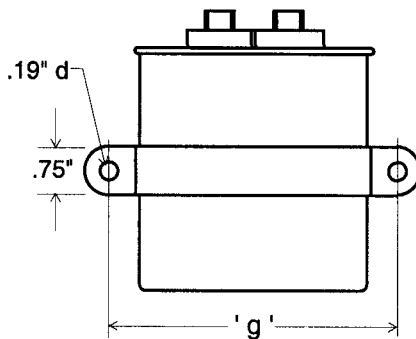
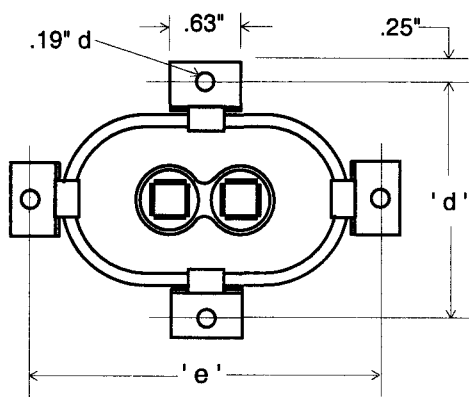


CAPACITOR MOUNTING BRACKETS AND ACCESSORIES



CAPACITOR MOUNTING BRACKETS - Zinc Plated Steel												
CASE STYLE	Hook-Footed					Saddle			Footed Wrap- Around			
	Part No.	a	b	d	e	Part No.	g	h	Part No.	a	b	c
A	25Q0210			1.75	2.63	25A011201	2.56	1.19	25A041202	1.23	2.06	2.69
C	25Q0210			2.38	3.38	25C011201	3.31	1.72	25C041202	1.80	2.80	3.44
D	25Q0210			2.44	4.13	25D011201	4.06	1.78	25D041202	1.86	3.55	4.19
E	25Q0222	1.38	.63	3.44	5.13							
E	25Q0230	1.88	1.25	3.44	5.13							

CAPACITOR MOUNTING BRACKETS AND ACCESSORIES



Hook - Footed

Saddle

Footed Wrap-Around

OTHER ACCESSORIES

- 1) Ground terminal welded to cover.
- 2) Discharge resistors - internal or external.
- 3) Molded rubber terminal boot #15C020402.

Consult factory for bracket configurations or accessories not listed.

CAPACITOR MOUNTING BRACKETS - Zinc Plated Steel										
CASE STYLE	Hook-Footed			Saddle			Footed Wrap- Around			
	Part No.	d	e	Part No.	g	h	Part No.	a	b	c
A	25Q0210	1.75	2.63	25A011201	2.56	1.19	25A041202	1.23	2.06	2.69
B	25Q0210	2.00	3.13	25B011201	3.13	1.44	25B041202	1.48	2.61	3.27
C	25Q0210	2.38	3.38	25C011201	3.31	1.72	25C041202	1.80	2.80	3.44
D	25Q0210	2.44	4.13	25D011201	4.06	1.78	25D041202	1.86	3.55	4.19
P	25Q0210	2.31		25P011201	2.50	1.66	25P041203	1.75	1.13	
S	25Q0210	2.56		25S011201	2.75	1.91	25S041203	2.00	1.25	
T	25Q0210	3.06		25T011201	3.25	2.41	25T041203	2.50	1.50	